

GRAY SLX 5

302516

Dims: 12.5' L x 5' w

Weight: 286 lbs.

Weight capacity: 1500 lbs.



GRAY SLX 6

302521

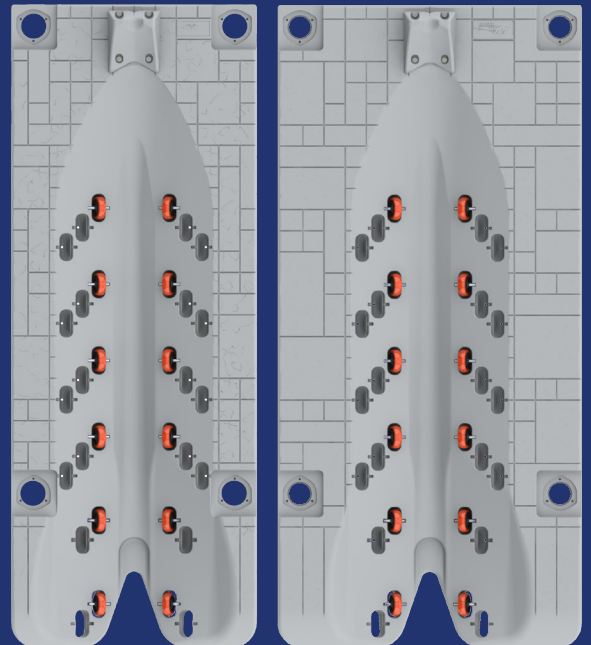
Dims: 12.5' L x 6' w

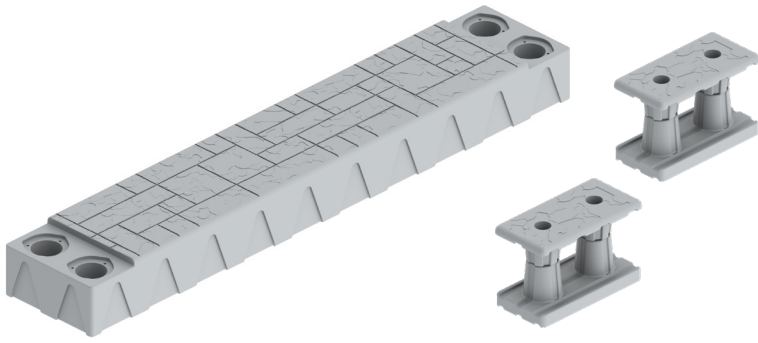
Weight: 321 lbs.

Weight capacity: 1800 lbs.

SLX Series ports: The original easy drive on/roll off design, changed industry standards with independent wheel system, admired for over 10 years running for ease of use and versatility.

- Designed to integrate with Wave Armor floating dock system, installed as a stand-alone system, or connect with other floating dock brands and structures.
- Integrated side pontoons, molded-in direct connect pockets, removable bow stop with tie-down ring, variety of mounting options, 12 adjustable shock-absorbing wheels.
- Crafted with an incredibly durable rotomolded shell, fully filled with marine-grade EPS foam, offering maintenance-free high-density polyethylene construction.





GRAY SLX SIDE EXTENSION KIT 302541

Adds 22" of extra walking room on the side of the SLX port.

Dims: 22" W x 120" L x 12" H

Weight: 132 lbs.

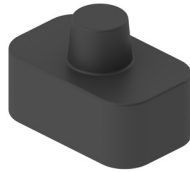
Weight capacity: 400 lbs.

- Includes 1 side extension + 2 port to port connectors

GRAY SLX PORT BUOYANCY BOOSTER

300498

- Includes 2
- Adds 40 lbs. buoyancy per booster



GRAY SLX PORT TO PORT CONNECTION KIT

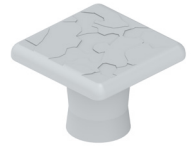
302538

- Includes 2



GRAY SNAP-IN 302536

- Includes 2



GRAY SLX POST EXTENSION

302544 FOR 2" PIPE 302547 FOR 4" PIPE

- Includes 2 + hardware



SLX WHEEL KIT

301929

- Includes 1 Wheel
- 1 Axle
- 2 Washers



STAINLESS STEEL CHAIN & CLIP

301269

Secure your port with this stainless steel chain & clip.

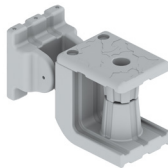


GRAY SLX PORT TO WAVE DOCK FLEX CONNECTION KIT

302530

Two heavy duty poly brackets attached to receiving bracket that slides in to the H-Beam channel for simple install. Allows for hinged-like movement during wave action.

- Includes 2 + hardware



GRAY SLX PORT TO FLOATING DOCK KIT

302534 19.75" C-CHANNEL 302535 25.75" C-CHANNEL

Two heavy duty poly brackets attach to the galvanized C-Channel for securing to any floating dock structure.

- Set of 2
- Hardware NOT included



GRAY PIPE SLEEVES

302526 FLUSH FOR 3" PIPE 302528 FLUSH FOR 4" PIPE

Replaceable pipe sleeves accommodate 2", 3" and 4" pipes and are engineered to absorb the everyday wear and tear associated with pipe mount installations.

- 2 pipe sleeves + hardware included



GRAY 2" SQUARE PIPE SLEEVE KIT FOR SLX 302524

Designed to perfectly fit into recessed pipe mounting holes in all 4 corners of the SLX. Creates a flush surface and accommodates 2" pipes for port installation.

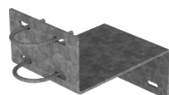
- 2 pipe sleeves + hardware included



PORT TO FIXED DOCK KIT

301281 FOR 2" PIPE 301282 FOR 4" PIPE

- [2] Z-brackets, [4] U-bolts + hardware included
- Requires 2" or 4" pipe sleeves sold separately



TELESCOPING 8-12" PORT TO FIXED DOCK OR SEAWALL KIT

301883 FOR 2" PIPE 301884 FOR 4" PIPE

- [2] adjustable aluminum brackets, [2] U-bolts + hardware included
- Requires 2" or 4" pipe sleeves sold separately

