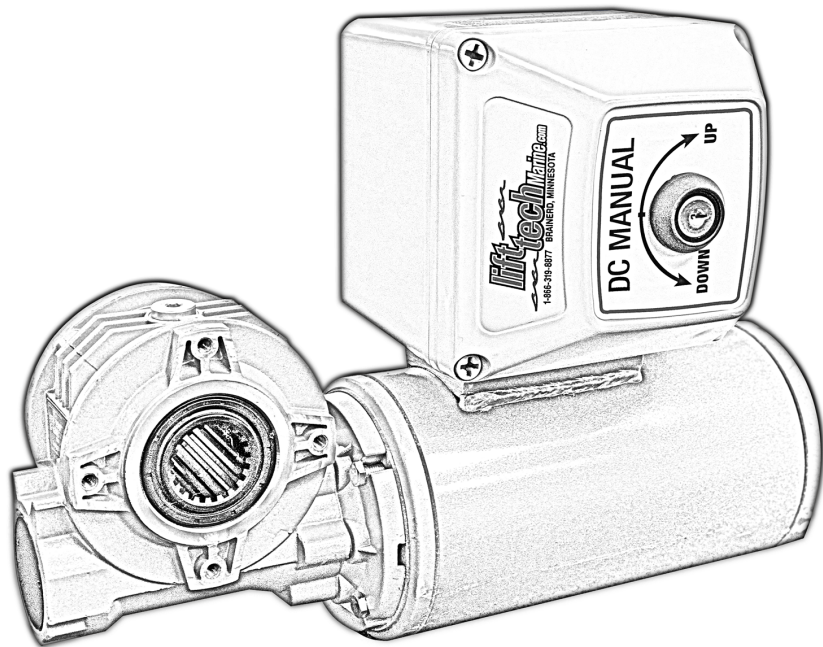


DC GEN 2 ***OWNERS MANUAL***

lift *tech* **Marine**
218-454-0682



WWW.LIFTTTECHMARINE.COM

Operating the DC Motor:

When the lift is going “up” the gear head should be going clockwise. When the lift is going “down” the gear head should be going counterclockwise. If it is going the opposite direction this means your lift was let down too far and now your lift is backwound. To fix this, let the lift down, when it runs out of cable it will wind itself up correctly and start going up. If you have a remote control and the lift is going down while pressing up or going up while pressing down this is the reason why. Please follow the steps above to fix it.

Pendant:

We offer an optional 15-foot or 20-foot pendant that can be purchased and plugged directly into your motor. Pendant works without the key.

Off-Season Storage:

We recommend our storage cover for your motor if you are going to leave it sit outside during the winter months. Our storage cover will breath and let moisture out while your not using your motor.

Power Outage:

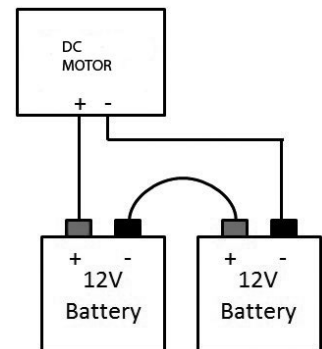
In case of a dead battery, use the provided back up bit on the end of the shaft with your drill. Visit our website to watch a video on how to use the back up bit.

Power Requirements:

Our DC Motors can be 12 volts or 24 volts.

If running 24 volts make sure to hook your batteries up in a series. (See image on right)

We recommend 24 or 27 series deep cycle batteries.



Maintenance:

Our motors are self-lubricating and do not need any maintenance.

Solar Panels will evaporate water so make sure to check water levels in the battery to prevent battery damage and possible battery explosion. We recommend all solar panels use a charge control to prevent over charging. They can be purchased separate.

Website:

Go to www.liftechmarine.com for more information, troubleshooting and how to videos.

We would like to take this opportunity to say thank you. We value you as a customer. Should you ever have an issue please give us a call at 218-454-0682 or send us an email at customerservice@liftechmarine.com



Optional Pendant for AC and DC Manual Motors Only:

Comes with 15 feet of wire and plugs directly into the control box. The control box is already wired for it. Just remove the small black nipple cap. Key is not required when using pendant.



Optional Canopy Light for AC/DC Remote and Autostop Motors Only:

Five feet of Super Bright White LED Lights. Can turn on and off with control panel or remote controls. Will automatically shut off at 7 minutes.



Storage Cover:

We recommend our storage cover for your motor if you are going to leave it sit outside during the winter months. Our storage cover will breathe and let out moisture.



Recommended Hard Plastic Cover:

Helps protect the motor all summer long from rain and other elements. Covers up the spinning gear head for extra safety. Back of cover is left open so it doesn't create condensation. Cover fits Vertical and Horizontal units. Will not fit the PWC or Wheel Drive motor.

RECOMMENDED HARD COVER



Plastic Battery Boxes for DC Units Only.

Plastic battery box that will fit Group 24 and 27 series deep cycle batteries. If your battery leaks for any reason, it will help protect the boat from getting battery acid on it.

Optional Battery Boxes



Charge Control Regulators For DC Units Only.

Perfect to keep your batteries from being over charged. Over charged batteries can lead to problems and possible battery explosion.





Warranty Card

***Must be filled out and sent to us within 60 days of purchase along with a copy of the original receipt for warranty to be valid.**

CIRCLE PRODUCT PURCHASED:

- AC-PWC DC-PWC AC-WHEEL DRIVE DC-WHEEL DRIVE AC MANUAL DC MANUAL
- AC REMOTE DC REMOTE AC AUTOSTOP DC AUTOSTOP
- WINCHBOX AC MANUAL WINCHBOX AC REMOTE WINCHBOX DC MANUAL
- WINCHBOX DC REMOTE WINCHBOX AC AUTOSTOP WINCHBOX DC AUTOSTOP

PURCHASED FROM: _____

DATE OF PURCHASE: _____

NAME: _____

ADDRESS: _____

EMAIL: _____ PHONE: _____

LIFT TECH MARINE WARRANTS OUR MOTOR FROM DEFECTS IN MATERIALS AND WORKMANSHIP UNDER NORMAL USE FOR A PERIOD OF 2 YEARS FROM THE DATE OF PURCHASE. DURING THE WARRANTY PERIOD, LIFT TECH MARINE WILL REPAIR THE MOTOR IF DEFECTIVE. THE WARRANTY IS LIMITED TO THE PURCHASER AND IS NOT TRANSFERABLE. THIS WARRANTY IS VOID IF THE PRODUCT IS MODIFIED OR ALTERED BY ANYONE OTHER THAN LIFT TECH MARINE, LLC.

***ALL WARRANTY CARDS MUST BE FILLED OUT WITHIN THE TIME FRAME AND HAVE A COPY OF THE ORIGINAL PURCHASE RECEIPT TO BE VALID.**

SEND THIS FORM AND YOUR RECEIPT TO :
CUSTOMERSERVICE@LIFTTECHMARINE.COM
OR MAIL TO:
LIFT TECH MARINE
7958 HASTINGS ROAD
BAXTER, MN 56425

RECOMMENDED HARD COVER



FIND MORE INFORMATION ONLINE AT WWW.LIFTTECHMARINE.COM